

BS 1363-2 Figure 12 Contact Test Gauge

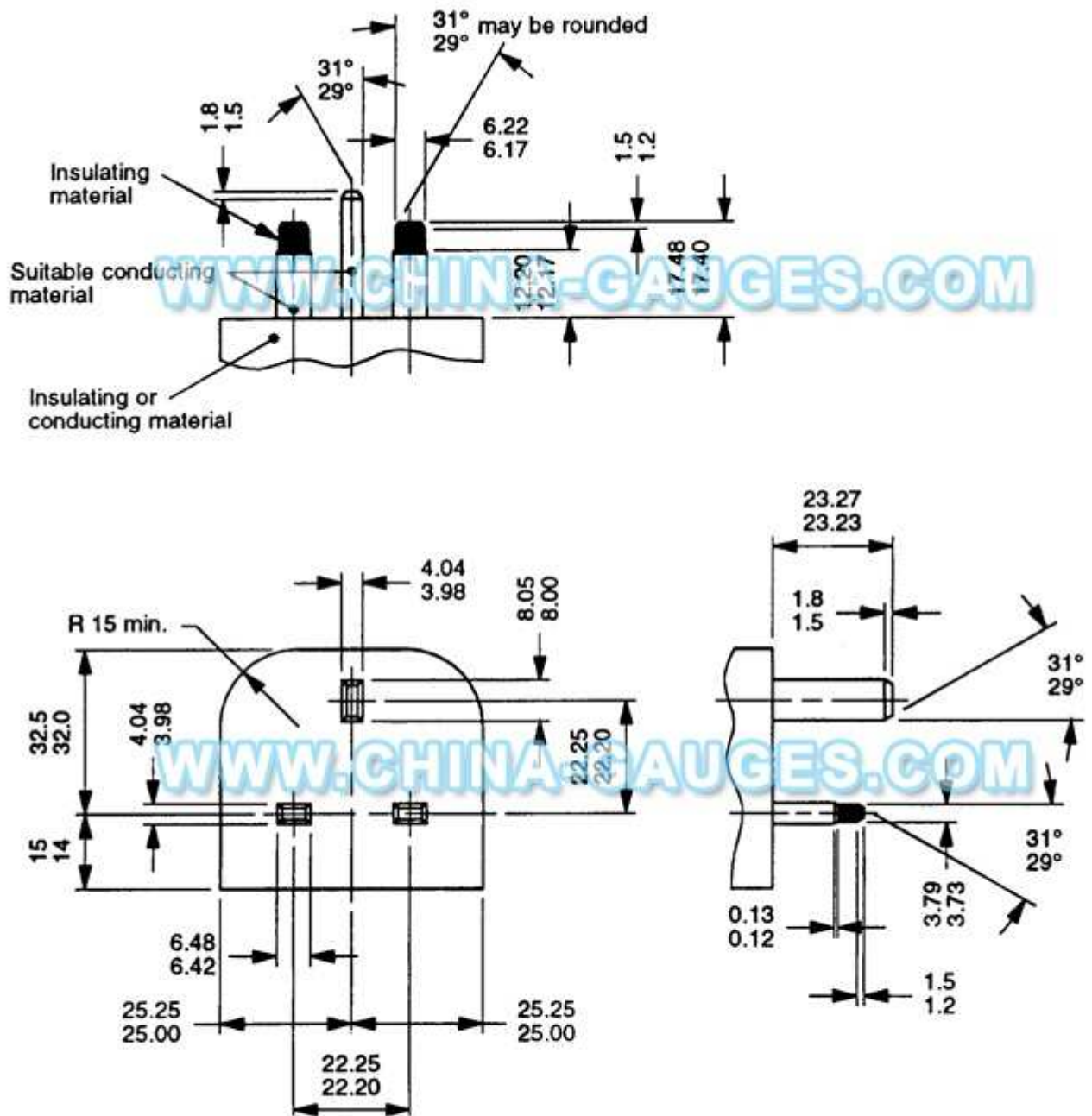
1. Application:

This plug and socket test gauge is mainly used to test and inspect whether the structure and size of plugs and sockets conform to BS 1363 standards. And the mainly application industries is electronics, electrical appliances, plugs and sockets and other similar areas.

2. Features:

Gauge dimensions, tolerances, material, hardness, surface roughness conform to the standards requirements;

Material hardness is more than 50HRC; Material thermal expansion coefficient is small, dimensions and tolerances is stable and reliable.



All linear dimensions are in millimetres.

NOTE 1 All sharp edges of the chamfered portion and ends of the gauge pins are slightly rounded.

NOTE 2 Insulated ends of pins may require suitable protection against wear.

Figure 12 — Contact test gauge (see Clause 13)