



IP2X Test Probe is a precision test probe made according to Figure 1 of the IEC 60529:2013 and is used to simulate a human finger. It is also used by the standards of CSA, IRAM, UL and in most of the rules involved in the verification of accessibility to live parts.

The Jointed Test Finger was made on stainless steel and Polyamide handle.

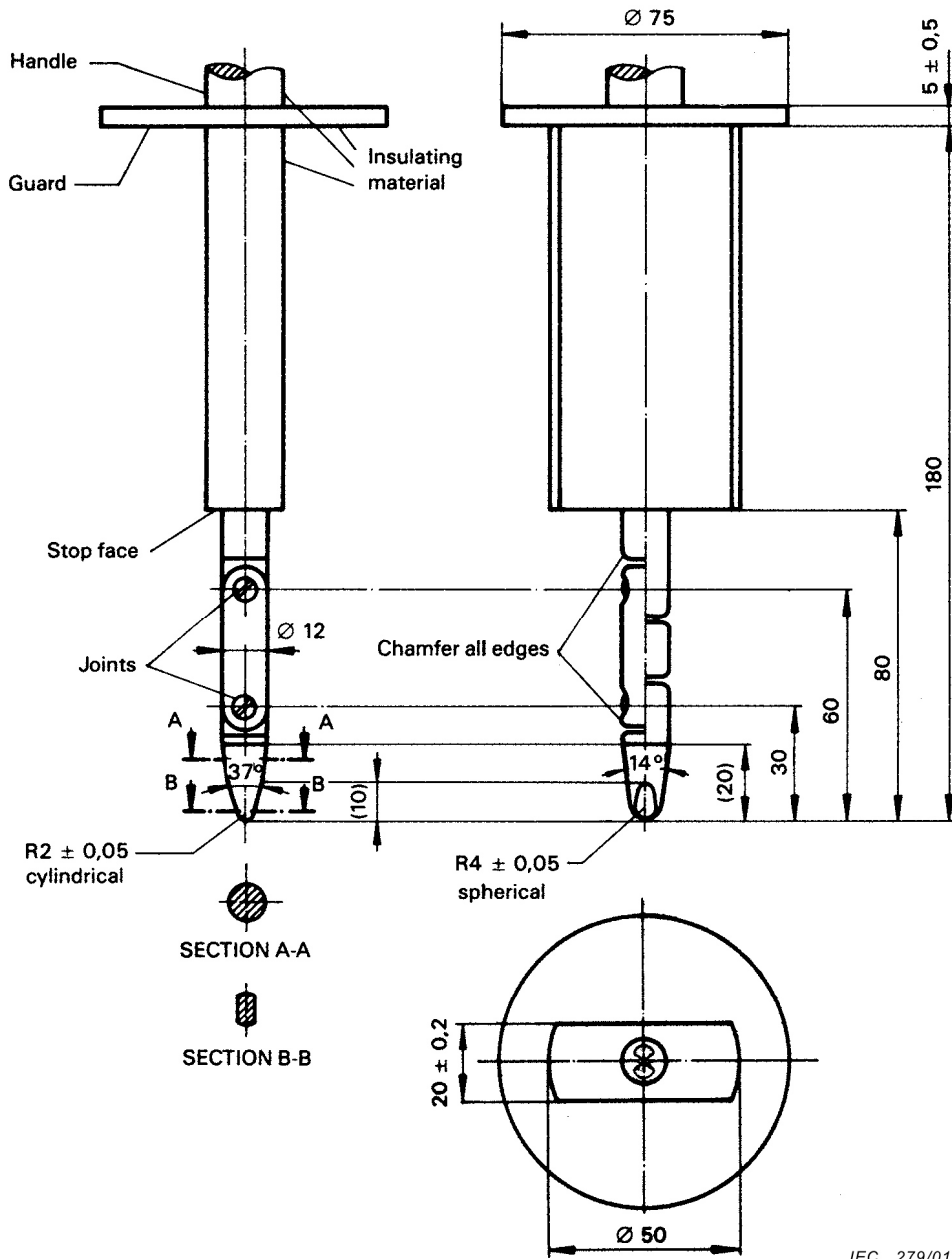
Material: Stainless Steel.

Handle: Polyamide.

Finish: Chrome plating.

According to: IEC 61032, IEC 60335-1, IEC 60529, IRAM 4220-1, SASO/IEC 60335-1, SASO IEC 60950, IEC 60950/EN60950.

Thrust: 10N



Material: metal, except where otherwise specified

Linear dimensions in millimetres

Tolerances on dimensions without specific tolerance:

on angles: 0/-10°

on linear dimensions:

up to 25 mm: 0/-0,05

over 25 mm: ±0,2

Both joints shall permit movement in the same plane and the same direction through an angle of 90° with a 0 to +10° tolerance.

Figure 1 – Jointed test finger