



IEC Standard Articulated Test Probe is a precision test probe made according to Figure 2 (Fig. 2) of the IEC 61032 (Test probe B) and is used to simulate a human finger. It is also used by the standards of CSA, IRAM, UL. IEC 60335, IRAM 4220-1 and in most of the rules involved in the verification of accessibility to live parts.

The Jointed Test Finger was made on stainless steel and Polyamide handle.

Material: Stainless Steel.

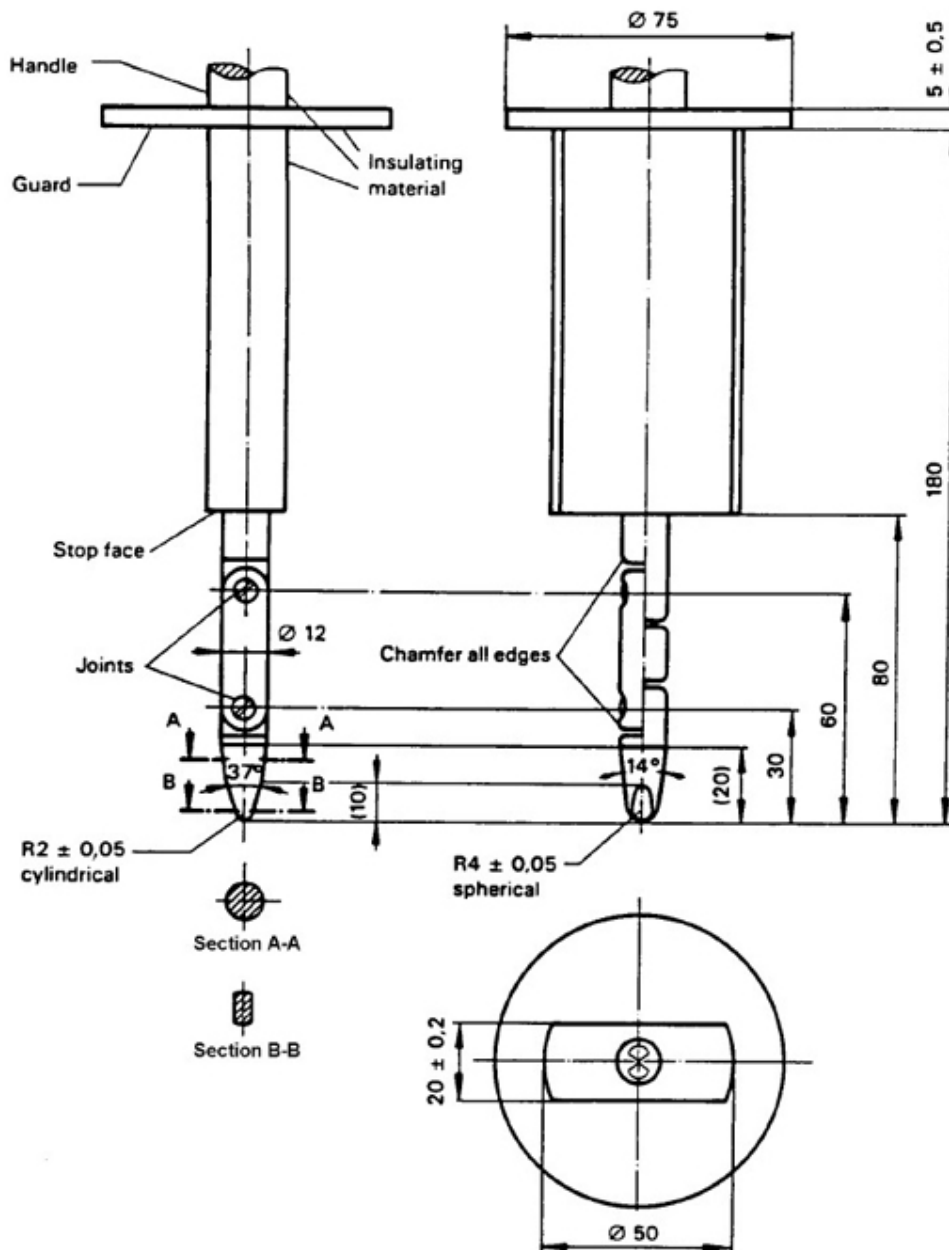
Handle: Polyamide.

Finish: Chrome plating.

According to: IEC 61032, IEC 60335-1, IEC 60529-2001, IRAM 4220-1, SASO/IEC 60335-1, SASO IEC 60950, IEC 60950/EN60950.

Thrust: 10N

b)



Dimensions in millimetres

Material: metal, except where otherwise specified.

Tolerance on dimensions when no specific tolerance is given:

– on angles: $\begin{matrix} 0 \\ -10^\circ \end{matrix}$

– on linear dimensions: up to 25 mm: $\begin{matrix} 0 \\ -0,05 \end{matrix}$ mm; over 25 mm: $\pm 0,2$ mm.

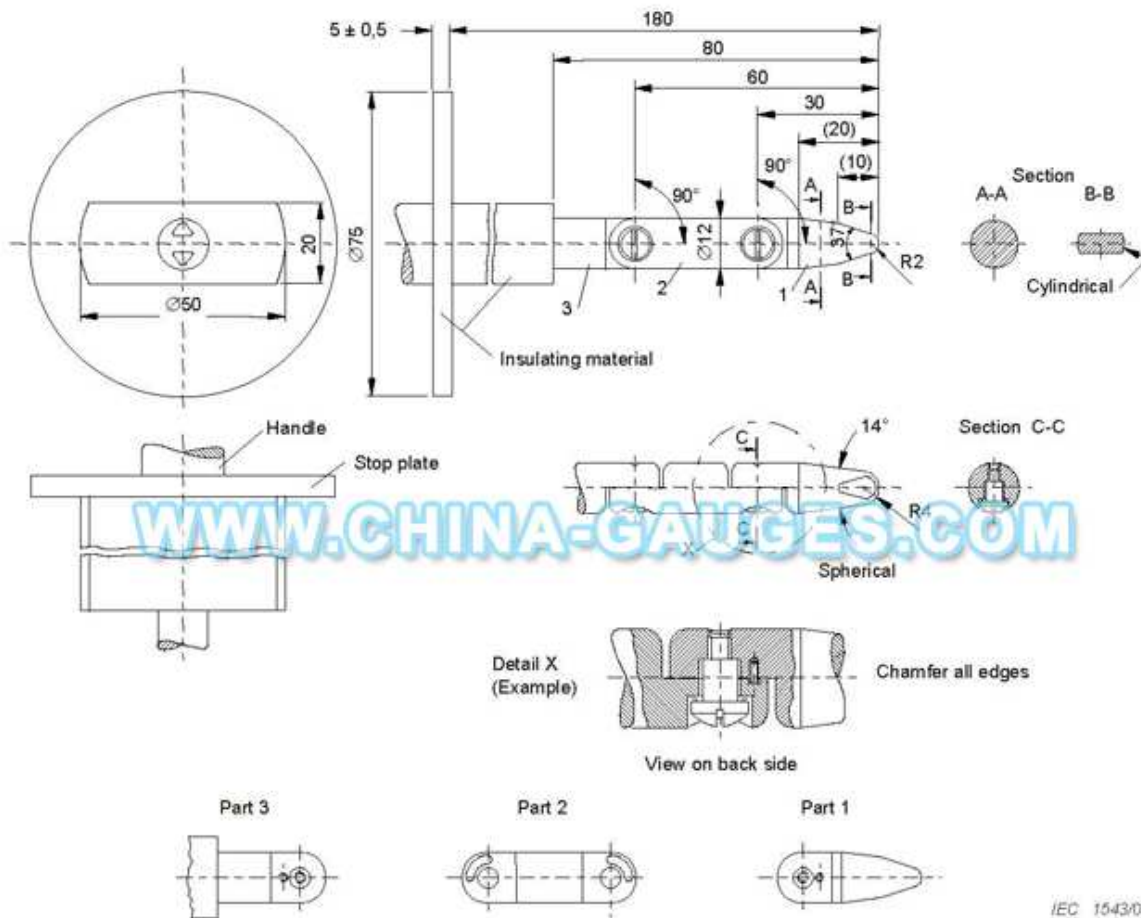
Both joints shall permit movement in the same plane and the same direction through an angle of 90° with a 0° to $+10^\circ$ tolerance.

This probe is intended to verify the basic protection against access to hazardous parts. It is also used to verify the protection against access with a finger.

Figure 2 – Test probe B

**BS EN 60950-1:2006+A1:2010
EN 60950-1:2006+A1:2010 (E)**

- 58 -



Linear dimensions in millimetres

Tolerances on dimensions without specific tolerances:

- 14° and 37° angles: $\pm 15'$
- on radii: $\pm 0,1$ mm
- on linear dimensions:
 - ≤ 15 mm: $\begin{matrix} 0 \\ -0,1 \end{matrix}$ mm
 - > 15 mm ≤ 25 mm: $\pm 0,1$ mm
 - > 25 mm: $\pm 0,3$ mm

Material of finger: heat-treated steel, for example.

Both joints of this finger can be bent through an angle of $90^\circ +10^\circ_0$ but in one and the same direction only.

NOTE 1 Using the pin and groove solution is only one of the possible approaches in order to limit the bending angle to 90° . For this reason, dimensions and tolerances of these details are not given in the drawing. The actual design must ensure a 90° bending angle with a 0° to $+10^\circ$ tolerance.

NOTE 2 Dimensions in parentheses are for information only.

NOTE 3 The test finger is taken from Figure 2, test probe B of IEC 61032. In some cases, the tolerances are different.

Figure 2A – Test finger