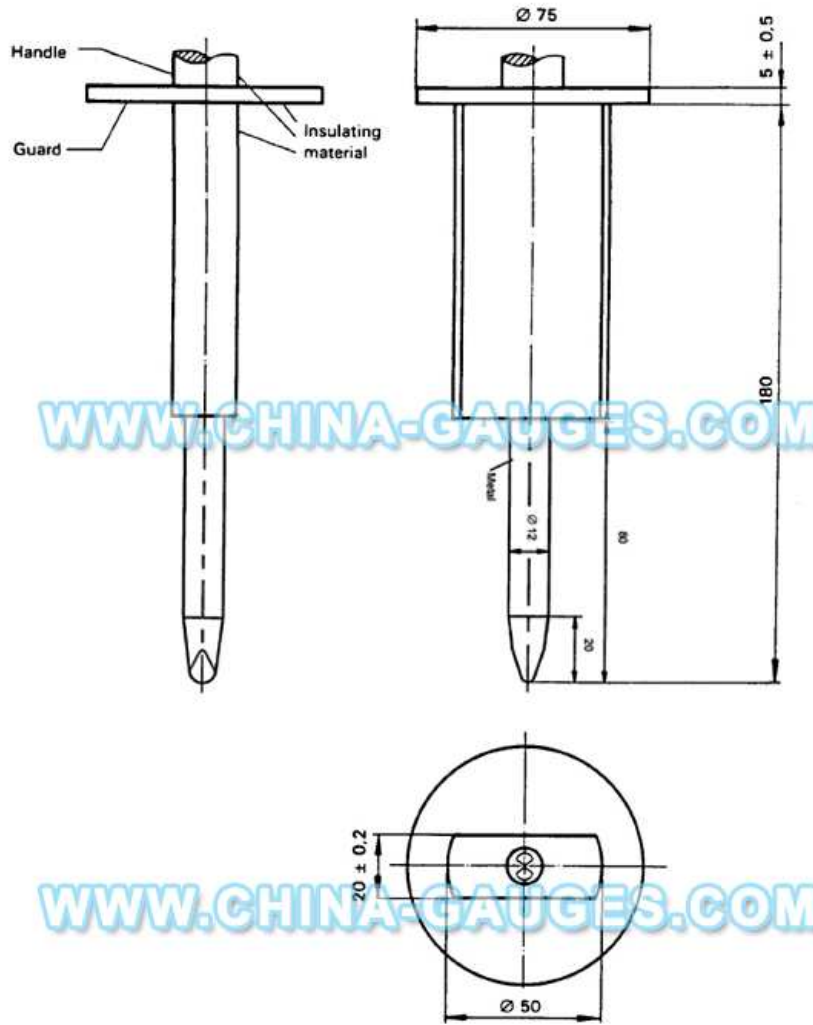




**Technical parameters**

- 1, Nodular Finger Diameter : 12 mm
- 2, Nodular Finger Length : 80 mm
- 3, Baffle Plate Diameter : 50 mm
- 4, Baffle Plate Length : 100 mm
- 5, Baffle thickness : 20 mm

This probe may be used to verify the protection of persons against access to hazardous parts, and to verify the mechanical strength of openings in the enclosure or internal barriers.



S

