



Application: Small Parts Tester is used to determine whether Child-related products & other articles intended for use by children under 3 years old present choking, aspiration, or ingestion hazards because of small parts. If any objects can fit completely into the cylinder without compressing & in any orientation, it is defined as a "Small Part". Its internal dimensions simulate the fully expanded throat of a child under 3 years old.

Conforms To: 16 CFR 1500.48 , ASTM F963 clause 4.8, EN-71 clause 8.2, IEC 60335-1:2010+AMD1:2013+AMD2:2016 CSV Figure 13.

Test requirement:

- 36months the followings:Can't exist small spare parts on the toy.
- 37onths-72 months:Can exist small spare parts on the toy, but there must be a warning note.
- More than 73 months: Can exist small spare parts on the toy, don't need to set the warning instructions.

Specifications:

Material: Stainless steel S.S.T

Test Range: Suitable for children under three years old toys

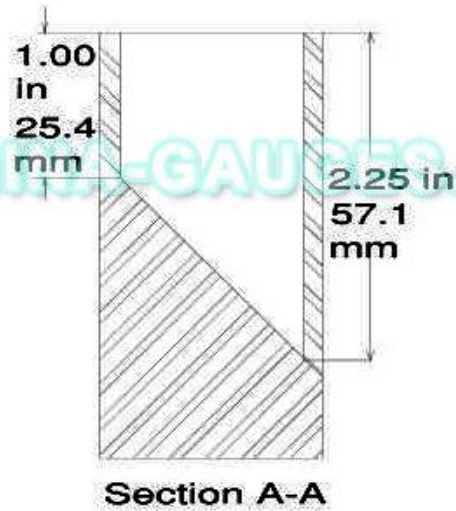
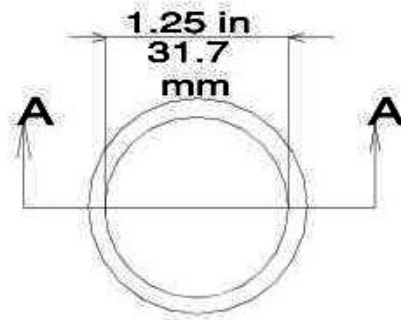


Figure 13 – Small Parts Test Cylinder